

MCHQ80V-GA series

80W LED Switching Power Supply (CV+CC) with output voltage and current level adjustment



■ Features:

- Constant voltage / Constant current mode
- Universal AC input range (max. 305VAC)
 - Built-in active PFC function
- Protections: Short circuit / Overload / Over voltage / Over temperature
 - Cooling by free air convection
- High surge protection: 4kV – differential mode, 6kV – common mode
 - IP65 protection class
- Suitable for dry, humid and rainy environment

CONSTANT CURRENT
CONSTANT VOLTAGE

SELV IP65



ELECTRICAL SPECIFICATION

| MODEL | MCHQ80V12-GA | MCHQ80V24-GA |
|--|---|------------------------------|
| OUTPUT | | |
| Rated Voltage | 12V | 24V |
| Rated Current | 6.67A / 200 ÷ 240VAC, 277VAC | 3.33A / 200 ÷ 240VAC, 277VAC |
| | 6.25A / 100 ÷ 200VAC | 3.125A / 100 ÷ 200VAC |
| Voltage Adjustment Range – Vadj potentiometer | 10.5 ÷ 13.5V | 22 ÷ 26V |
| Current Adjustment Range – Iadj potentiometer | 3.2 ÷ 6.66A | 1.6 ÷ 3.33A |
| Minimum voltage for Constant Current mode | 7.2V | 14.4V |
| Rated power | 80W / 200 ÷ 277VAC; 75W / 100 ÷ 200VAC | |
| Line Regulation | ± 1% | |
| Load Regulation | ± 2% | |
| Current Accuracy | ± 5% | |
| Voltage ripple (pk-pk) | ± 2% | |
| Current ripple (pk-pk) | ± 5% | |
| Setup, Rise time | 400ms, 100ms / 230Vac | |
| INPUT | | |
| Voltage Range | 90 ÷ 305Vac (refer to Derating Curve) | |
| Frequency Range | 47 ÷ 63Hz | |
| AC current (max.) | 0.42A / 110VAC; 0.81A / 230VAC | |
| Inrush current (max.) | 60A / 230VAC(25°C) | |
| Power Factor (typ.) | PF > 0.97 / 230VAC at full load (refer to PF curve) | |
| THD (max.) | THD < 8.5% / 230VAC at full load (refer to THD curve) | |
| Efficiency (typ.) | 88.5% | |
| Leakage Current (max.) | 0.7mA / 230VAC at full load | |
| No load power consumption (max.) | 0.5W / 230VAC | |

MCHQ80V-GA series

80W LED Switching Power Supply (CV+CC) with output voltage and current level adjustment



PROTECTIONS

| | |
|-------------------------|---|
| Over load | Range: 110 ÷ 160% rated load Type: constant current limiting to 60% rated voltage next hiccup mode. Recovers automatically after fault condition is removed. |
| Short Circuit | Type: hiccup mode. Recovers automatically after fault condition is removed. |
| Over Voltage | Range: 150% rated voltage Type: shut down output voltage. Re-power on to recovery. |
| Over Temperature | 110°C Type: shut down output voltage. Re-power on to recovery. |

WORKING ENVIRONMENT

| | |
|---|---|
| Working Temperature | -40°C ÷ 70°C; tc=90°C (refer to derating curve) |
| Working Humidity | 10 ÷ 90% RH non-condensing |
| Storage Temperature and Humidity | -40°C ÷ 85°C, 5 ÷ 95% RH non-condensing |

SAFETY and EMC STANDARDS

| | |
|------------------------------|---|
| Safety Standards | Compliance to EN61347-1, EN61347-2-13 , EN 62493 |
| EMC emission | Compliance to EN55015 |
| EMC Immunity | Compliance to EN61547 |
| Harmonic Current | Compliance to EN61000-3-2, EN61000-3-3 |
| Withstand Voltage | IN/OUT: 3200VAC / 5mA, 60s IN/GND: 1600VAC / 5mA, 60s OUT/GND: 1000VAC / 5mA, 60s |
| Insulation Resistance | IN/OUT: ≥ 10MΩ / 500VDC |
| Grounding Resistance | ≤ 0.1Ω / 25A, 1min |
| IP Protection Class | IP65 |

OTHERS

| | |
|---------------------------|--|
| MTBF | 200 000 hours / 25°C, full load, according to MIL-HDBK-217F |
| Lifetime | 55 000 hours / 230VAC, full load, tc=75°C |
| Dimensions | 172 x 52.9 x 36.5mm (L x W x H) |
| Weight and packing | 0.46kg; 15pcs./box; box weight and dimension: 8.9kg; 26.5x21.5x25.5cm |
| Primary cable | H05RN-F 105°C 3Gx1.0mm ² , length = 300 ± 30mm |
| Secondary cable | 12V: SJTW, 2*18AWG / 2*0.824mm ² , 105°C, length = 300 ± 30mm 24V: SJTW, 2*18AWG / 2*0.824mm ² , 105°C, length = 300 ± 30mm |

EAN Code



1. All parameters NOT specially mentioned are measured at 230VAC input, rated load and 25°C of ambient temperature.

2. Power supply is considered as component not indented to apply by end-user. Power supply meets safety and EMC standards however the final equipment with power supply must be re-quality to comply with EMC Directives.

MCHQ80V-GA series

80W LED Switching Power Supply (CV+CC) with output voltage and current level adjustment



MECHANICAL SPECIFICATION

INPUT

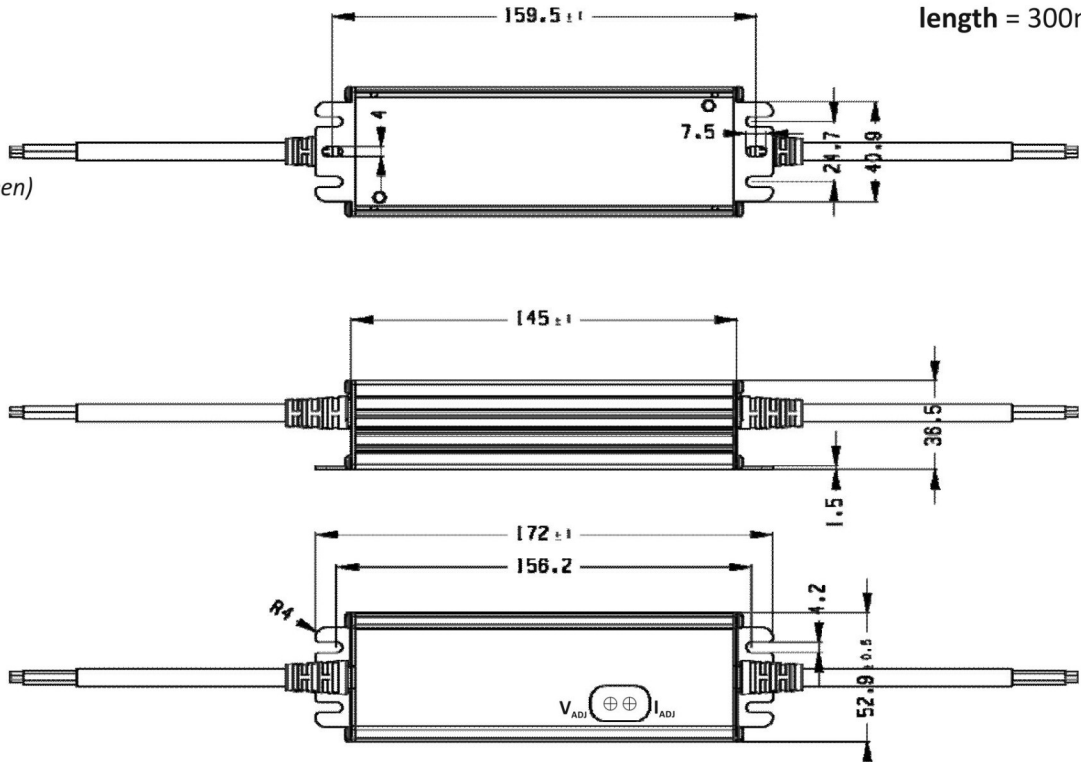
H05RN-F 105°C 3Gx1.0mm²
length = 300mm ± 30mm

OUTPUT

12V: SJTW, 2*18AWG / 2*0.824mm², 105°C
24V: SJTW, 2*18AWG / 2*0.824mm², 105°C
length = 300mm ± 30mm

AC/L(brown)
AC/N(blue)
GND(yellow-green)

V+ (white)
V- (black)



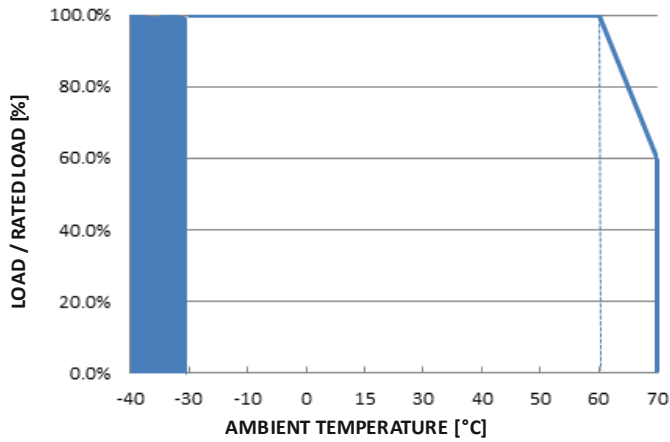
MCHQ80V-GA series

80W LED Switching Power Supply (CV+CC) with output voltage and current level adjustment

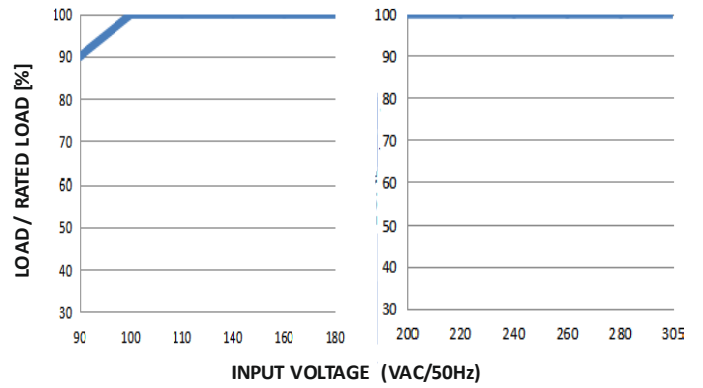


CHARACTERISTICS

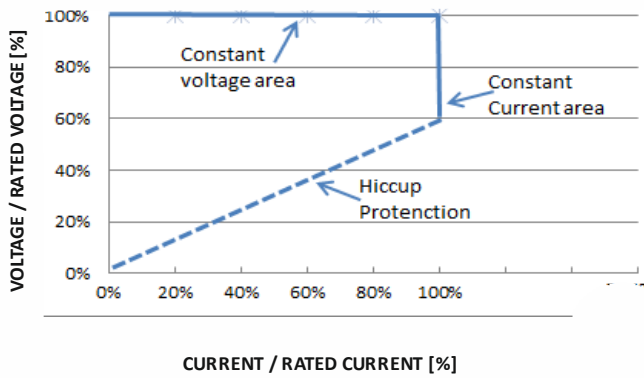
DERATING CURVE



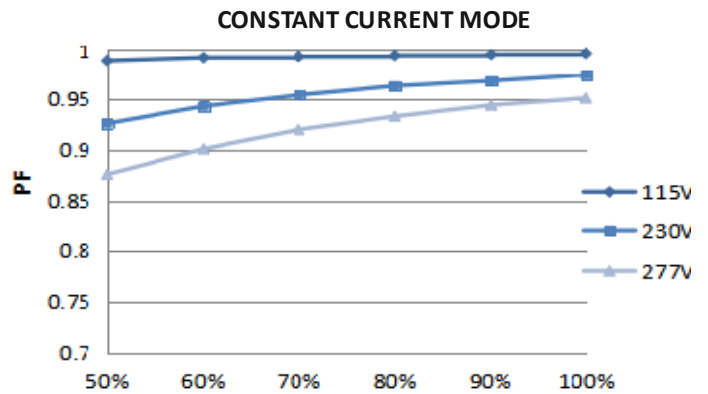
STATIC CHARACTERISTICS



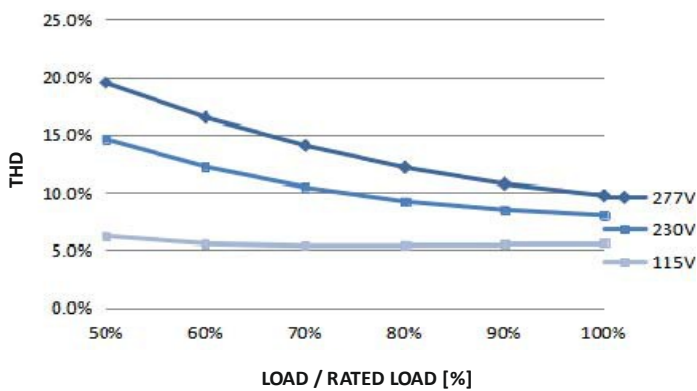
I-V CURVE



PF CURVE



THD Curve



EFFICIENCY CURVE

