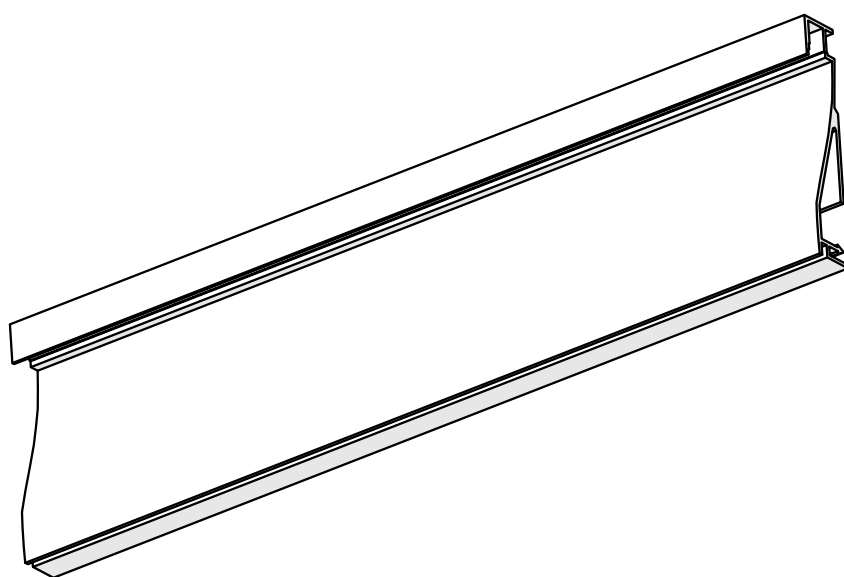
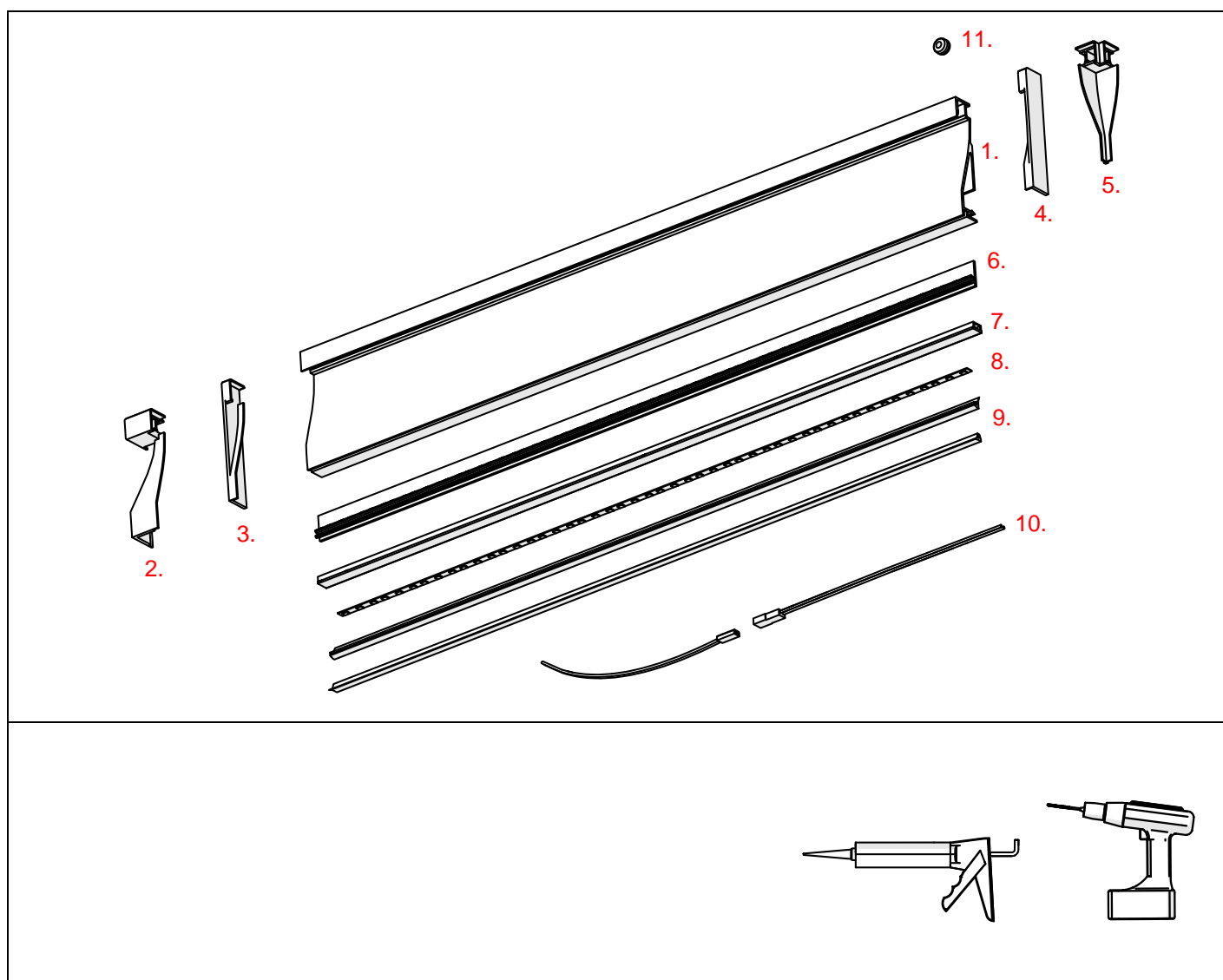


OLIS Profile





1. OLIS Profile (Ref. C4106)
2. OLIS-90Z End cap (Ref. C24478)
3. OLIS-L End cap (Ref. C24480)
4. OLIS-P End cap (Ref. C24481)
5. OLIS-90W End cap (Ref. C24477)
6. OS mounting strip (Ref. 50023)
7. Cover Benco-7 (Ref. 17069)
8. LED tape*
9. OLIS gasket (Ref. C24374)
10. Connector JST-BEC (Ref. 42056)
11. Gland*

* The full range of accessories and electronics is available at www.KlusDesign.eu

NOTE! ! All LED tapes must be connected to a 12 V or 24 V power supply.

IMPORTANT: Not all possible mounting procedures are presented here. More mounting procedures and related accessories can be found at www.KlusDesign.eu. Drawings in these instructions are simplified and only approximate the actual shapes.

