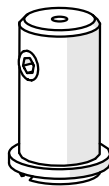
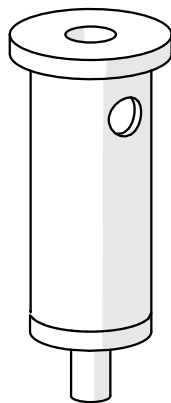
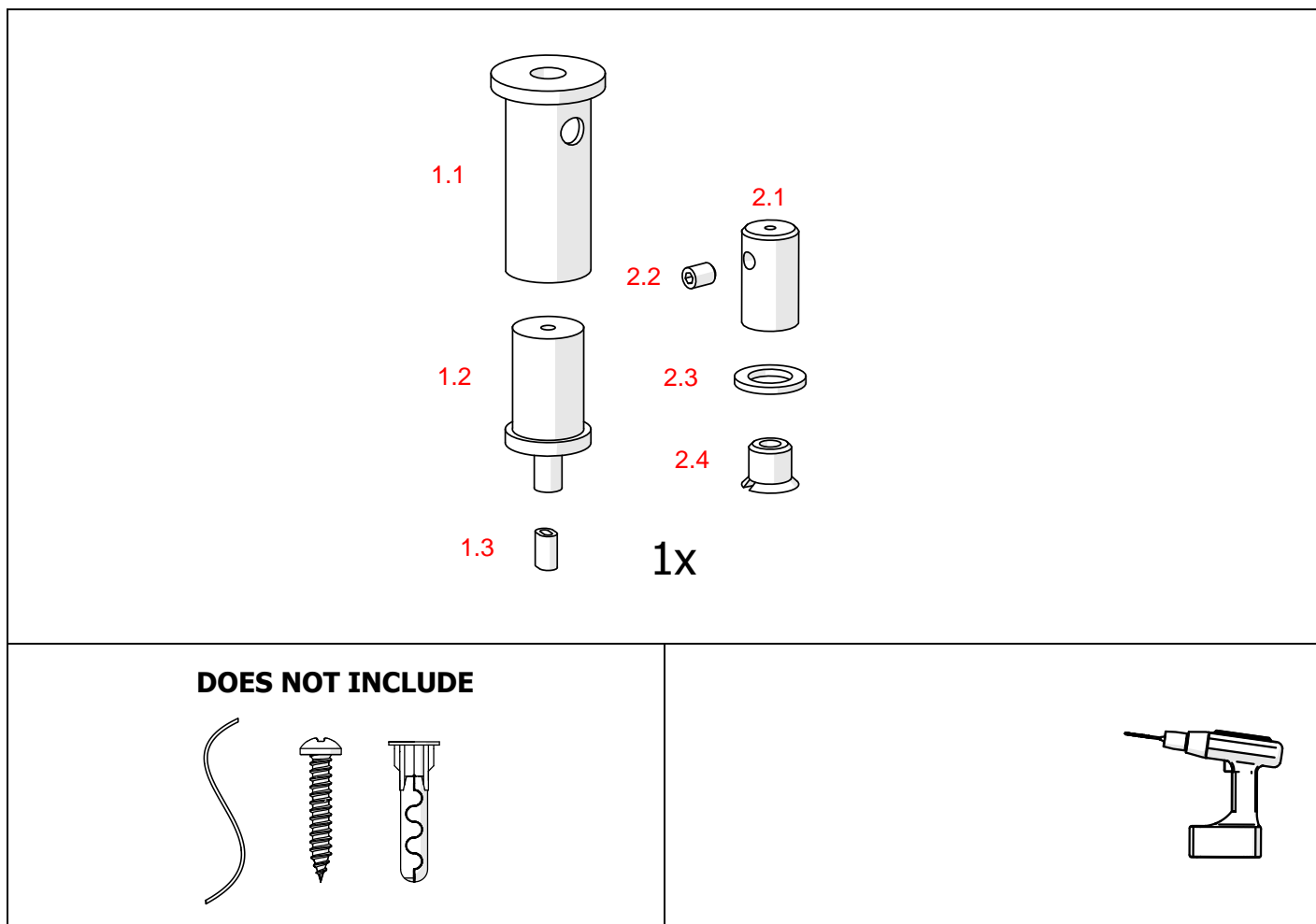


Fastener set FI-8-MR-2



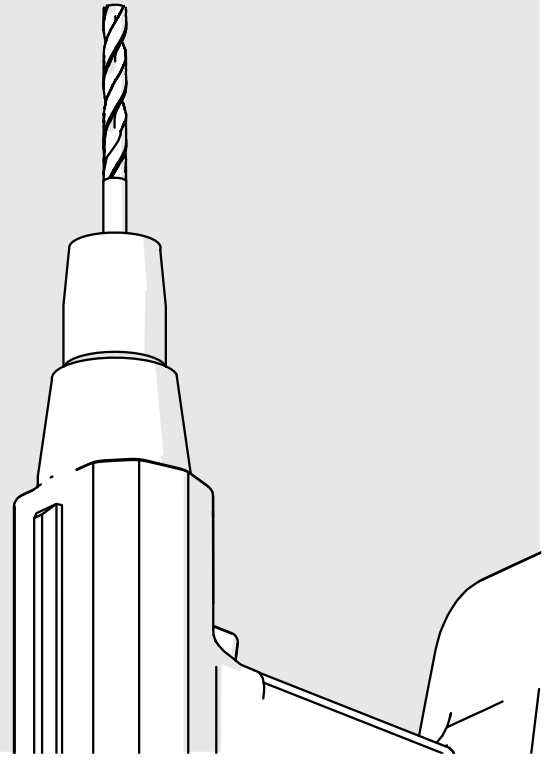
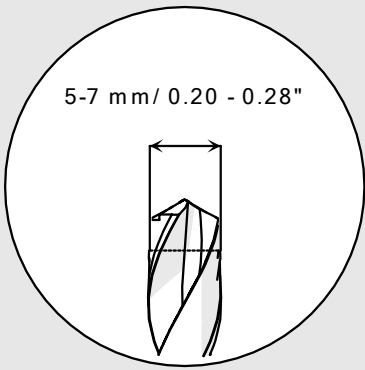


Fastener set FI-8-MR-2 (ref. C28137)

- 1.1 Ceiling bracket
- 1.2 Steel cable blockade
- 1.3 Sleeve for the cable clamp
- 2.1 Connector conductive
- 2.2 Pressure screw M3x5
- 2.3 Pad 6,2
- 2.4 MR hook

IMPORTANT: Not all possible mounting procedures are presented here. More mounting procedures and related accessories can be found at www.KlusDesign.eu. Drawings in these instructions are simplified and only approximate the actual shapes.

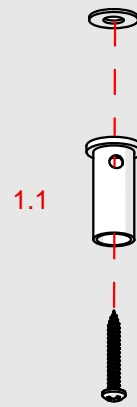
I



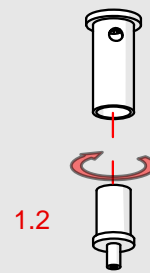
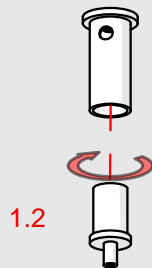
II



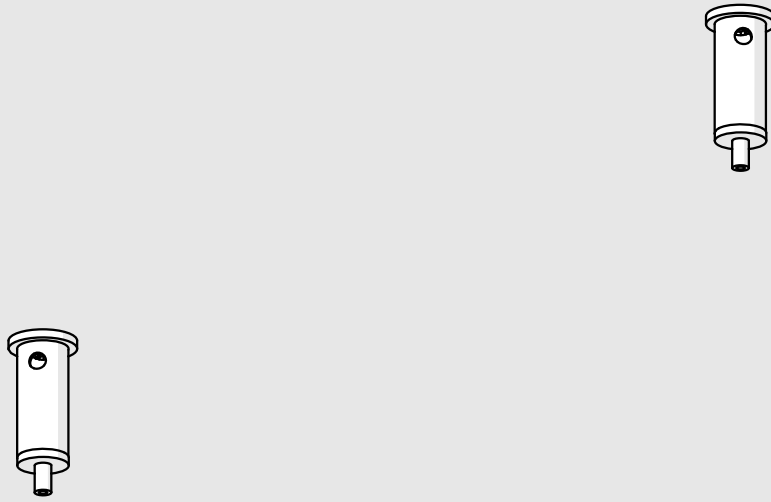
III



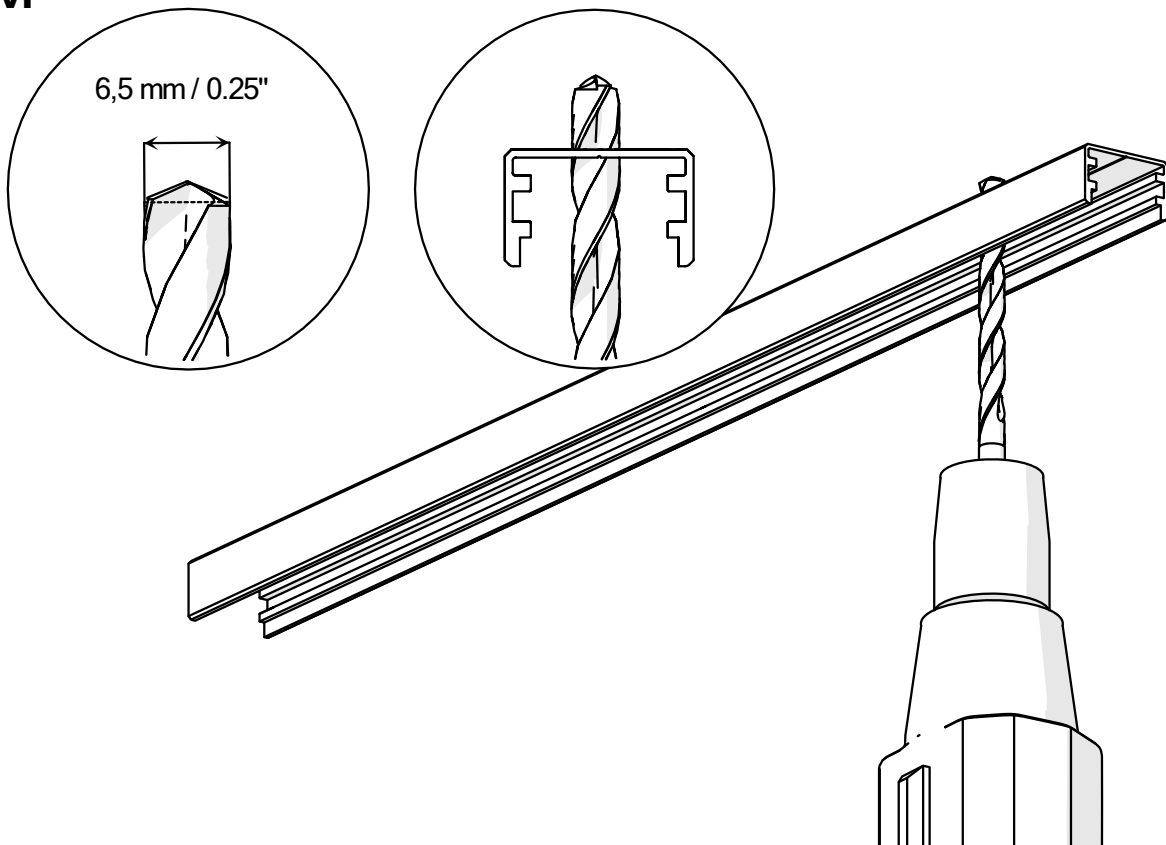
IV



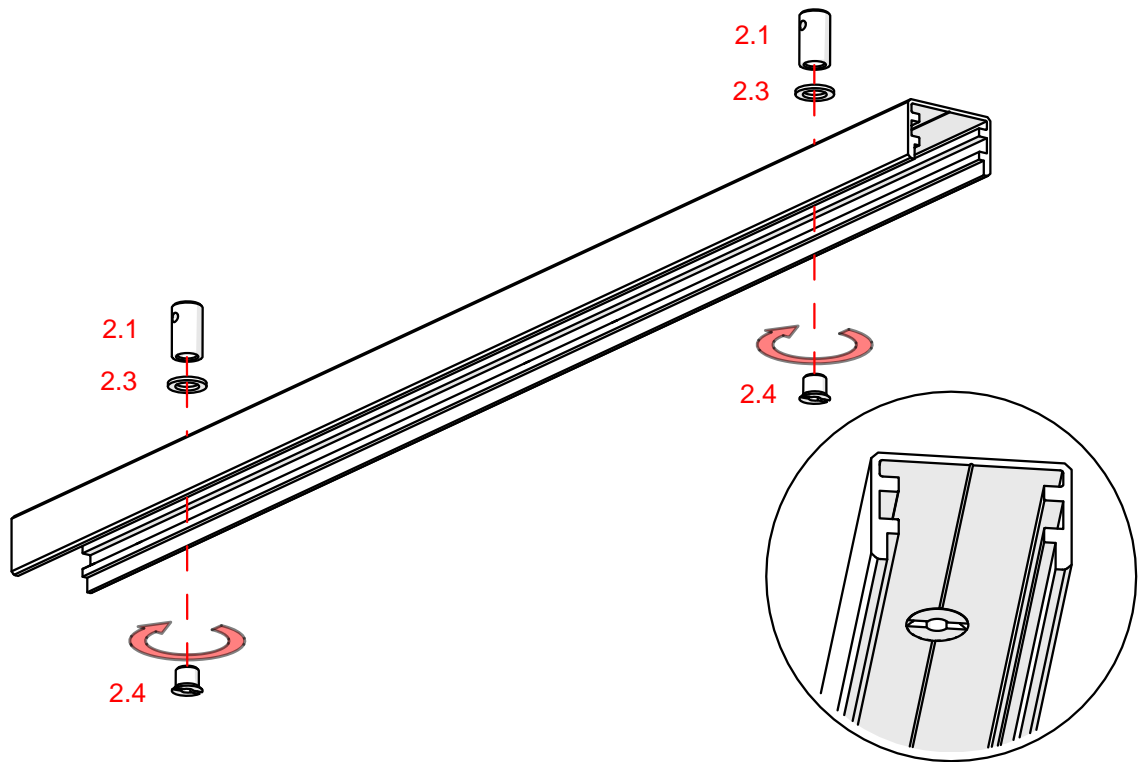
V



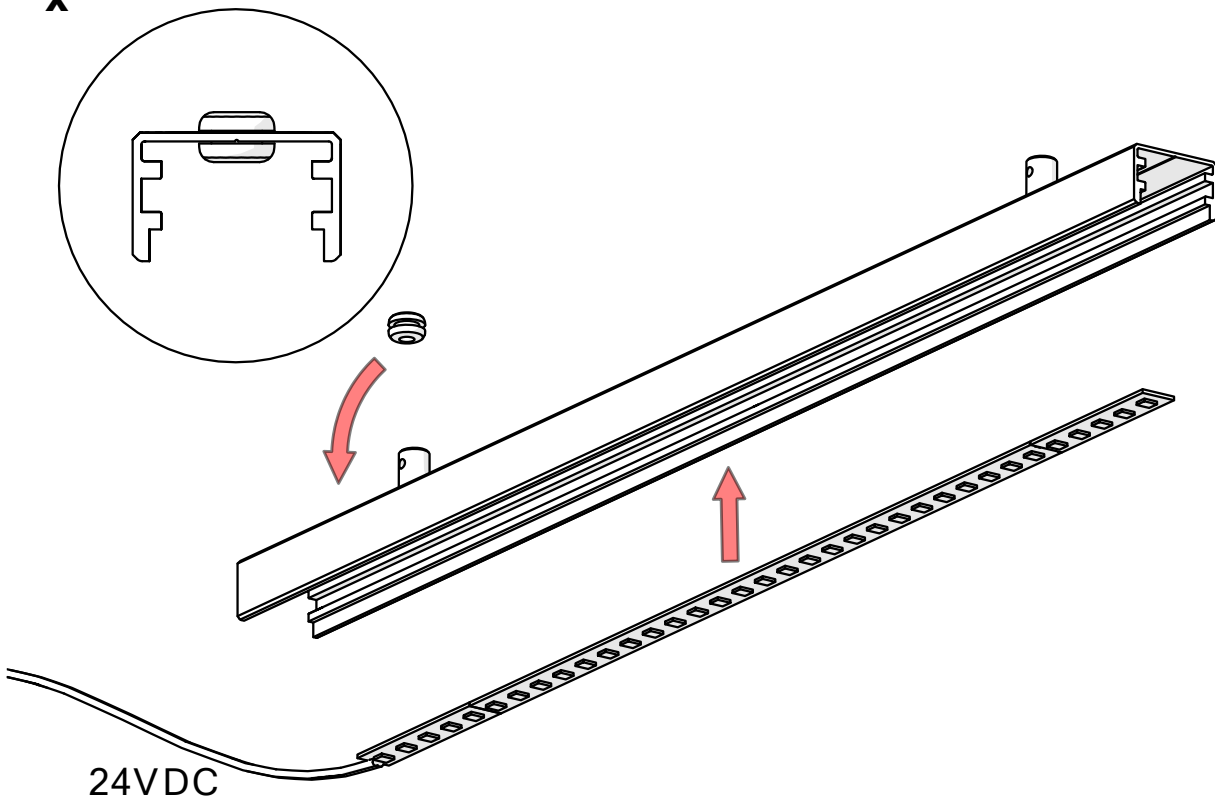
VI



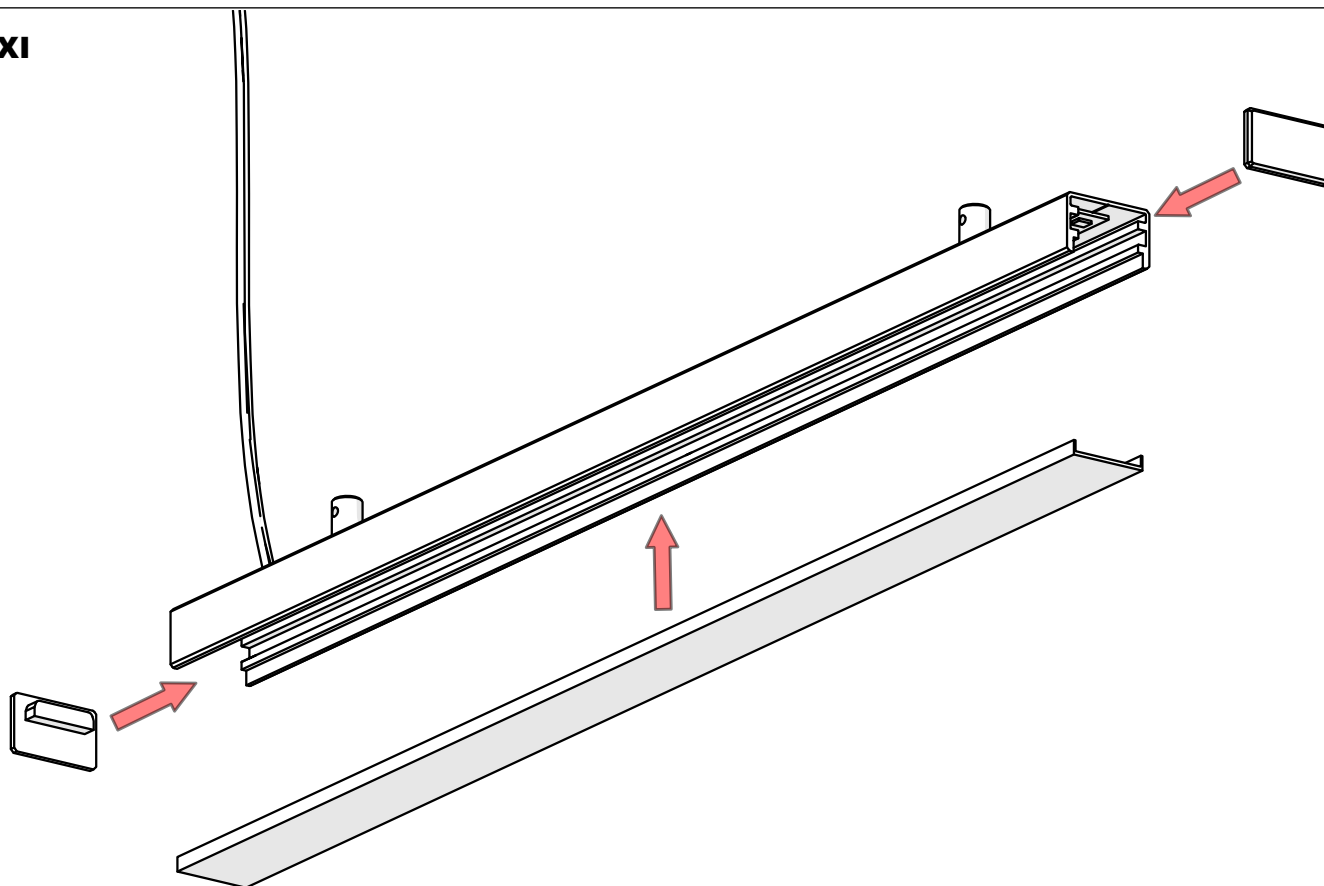
IX



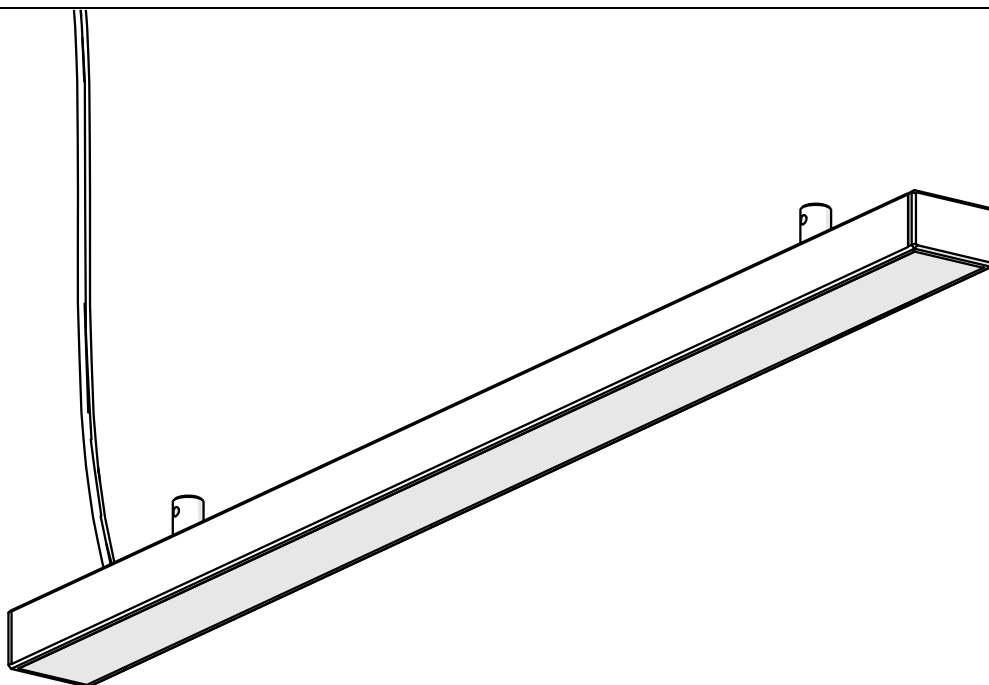
X



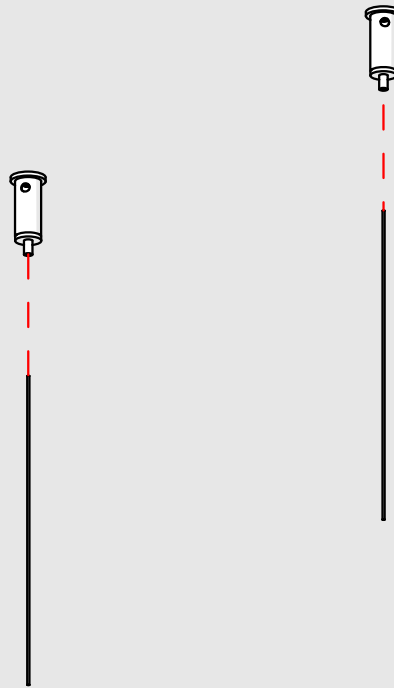
XI



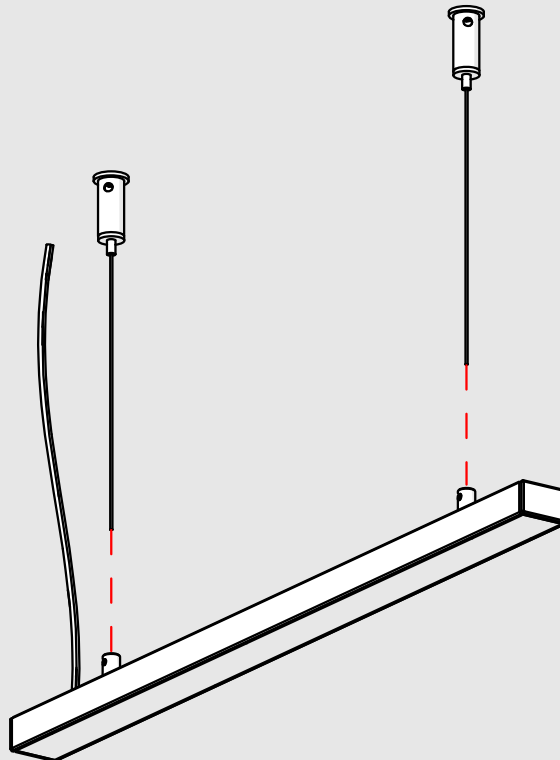
XII



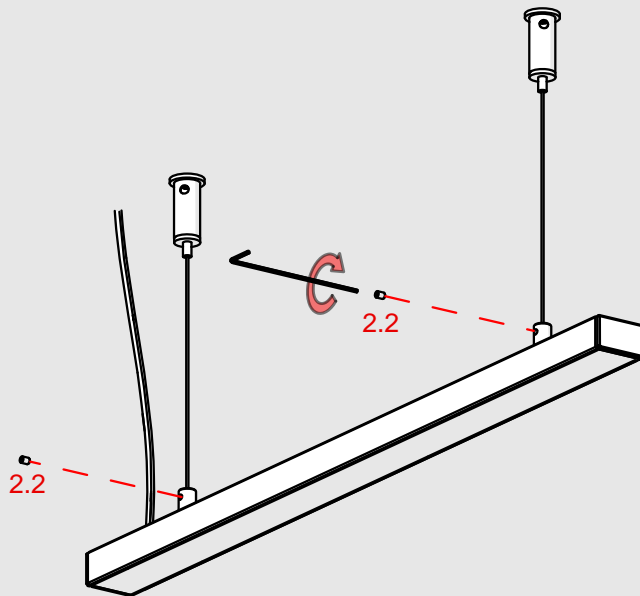
XIII



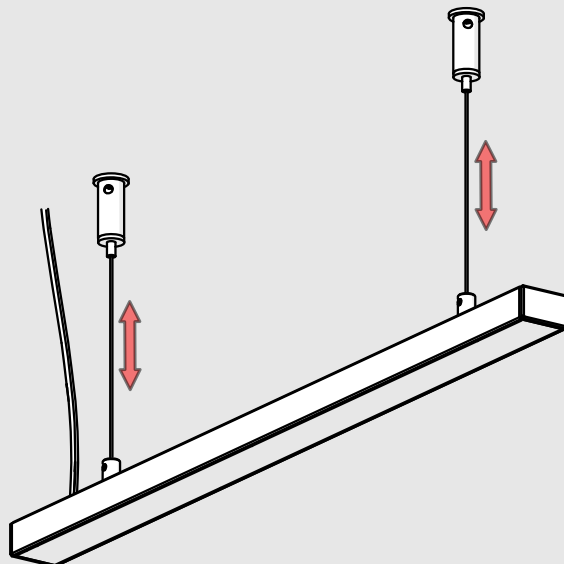
XIV



XV



XVI



XVII

