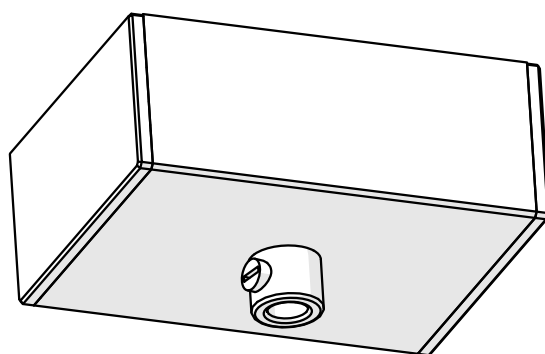
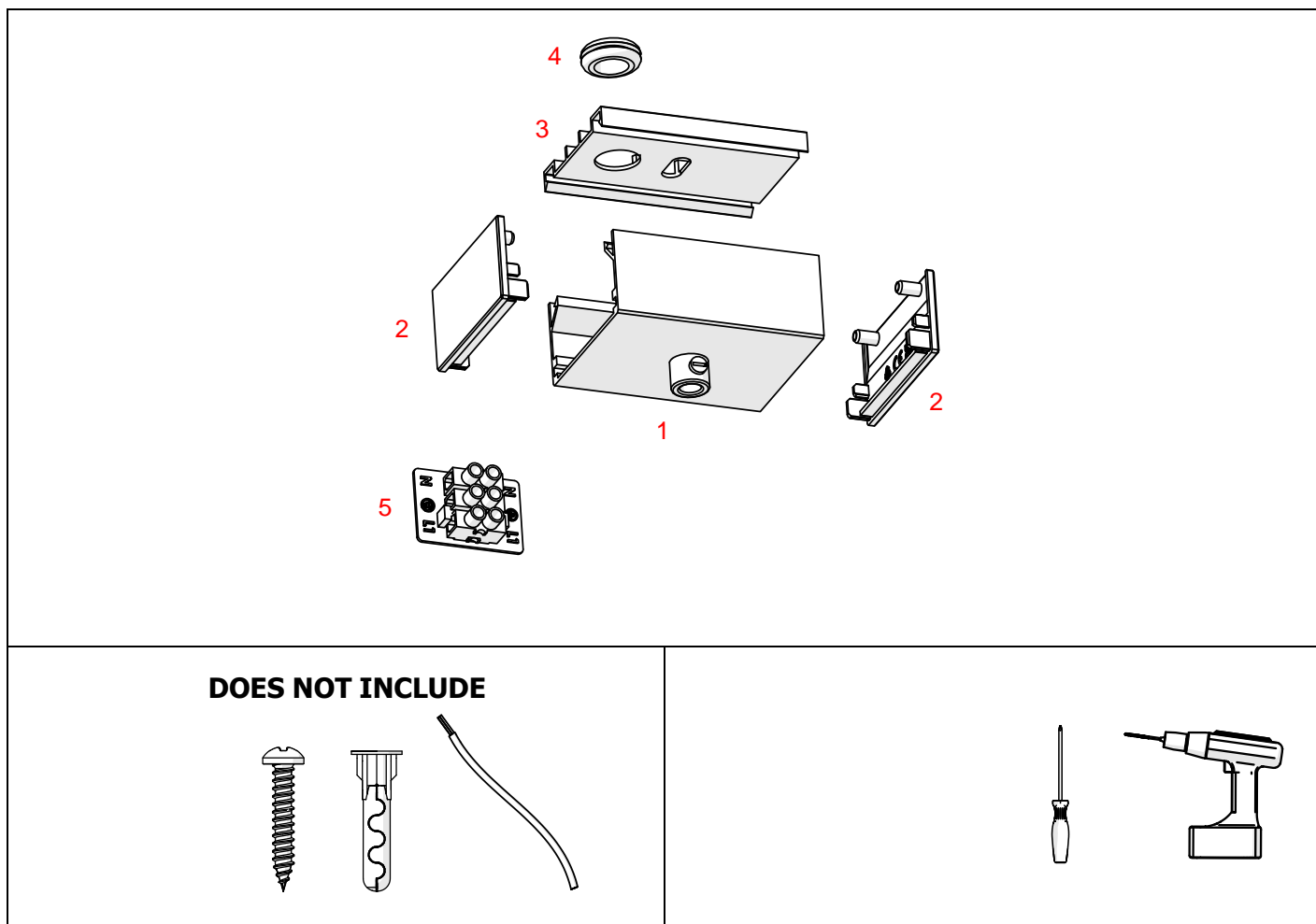


## BOX-M70

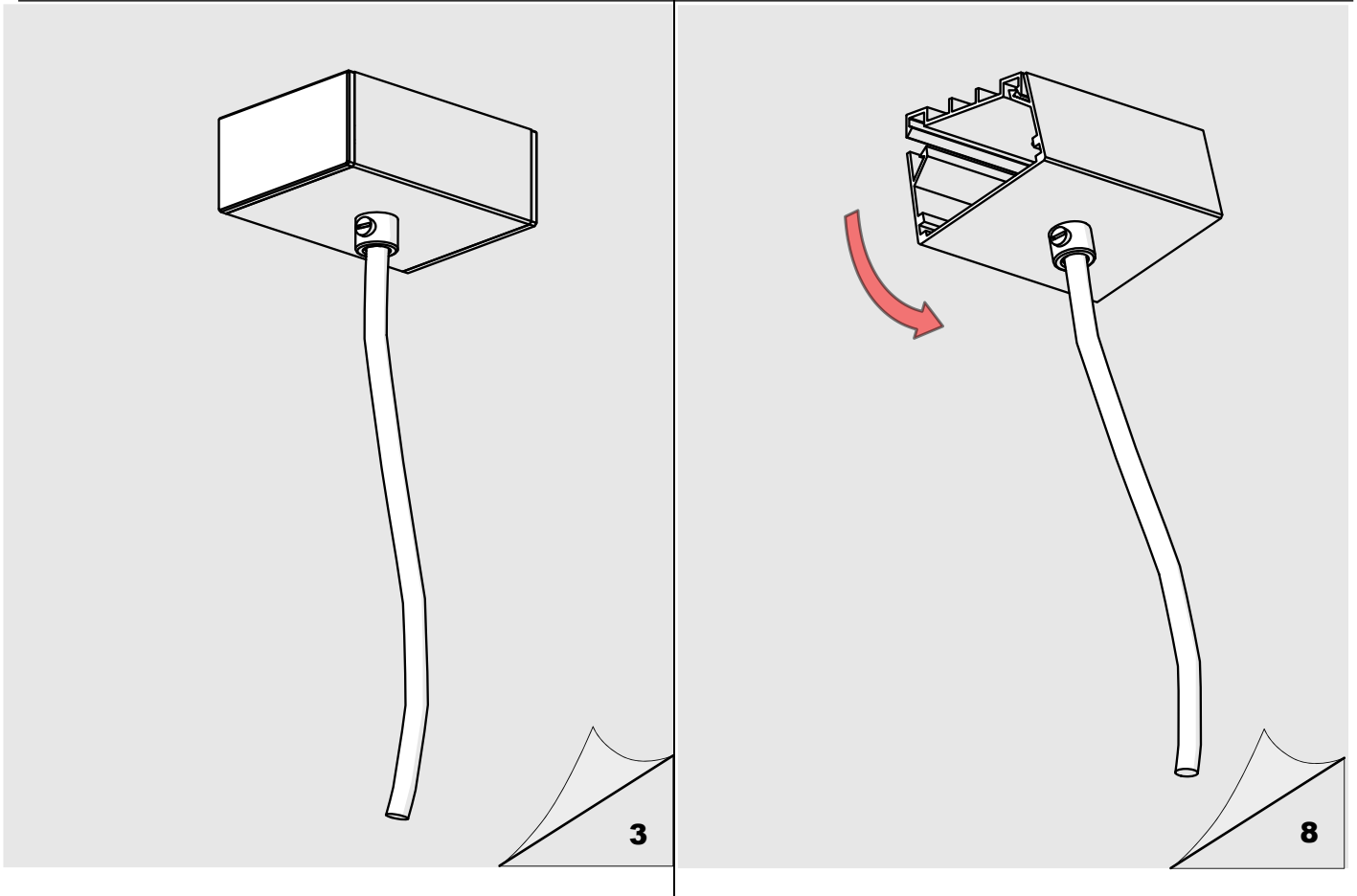




BOX-M70 (ref. C24541)

- 1. Profile BOX-M70 with cable strain relief
- 2. End cap BOX-M
- 3. Profile BOX-T70
- 4. Gland
- 5. Electric cube 3-pin.

**IMPORTANT:** Not all possible mounting procedures are presented here. More mounting procedures and related accessories can be found at [www.KlusDesign.eu](http://www.KlusDesign.eu). Drawings in these instructions are simplified and only approximate the actual shapes.

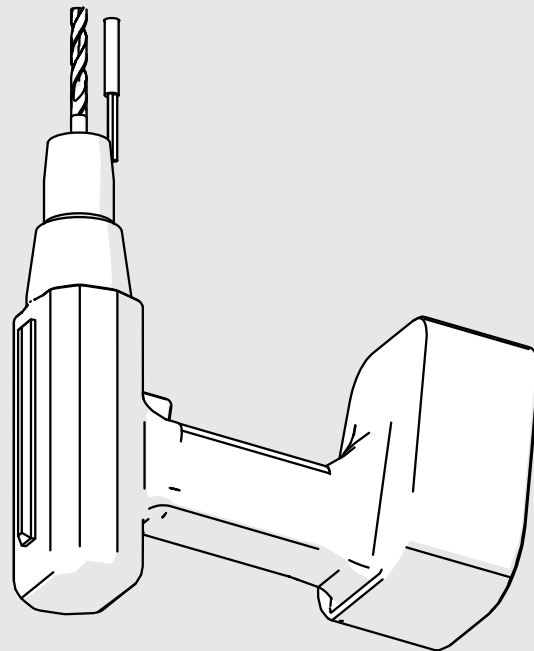
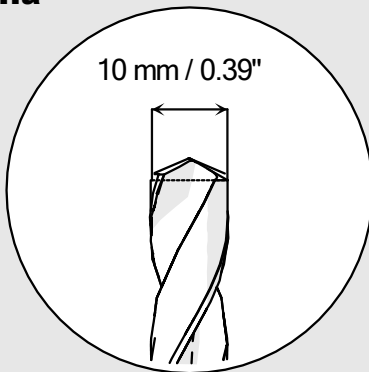


**Ia**

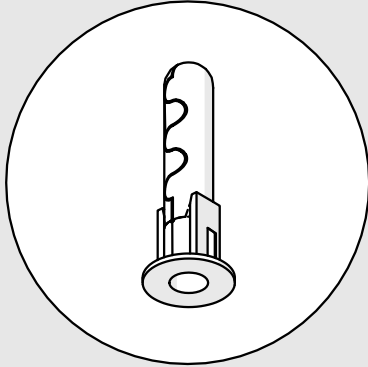


220-240V AC  
50/60Hz

**Ila**

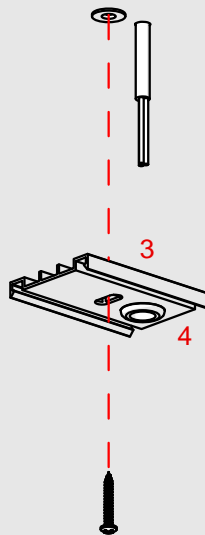
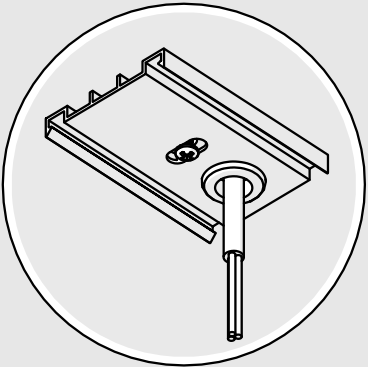
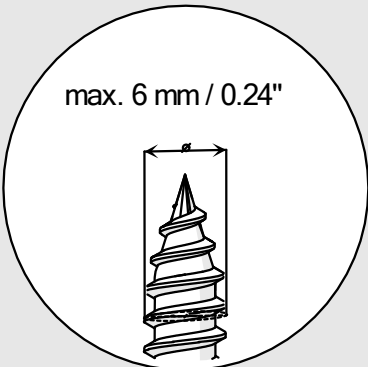


**IIIa**

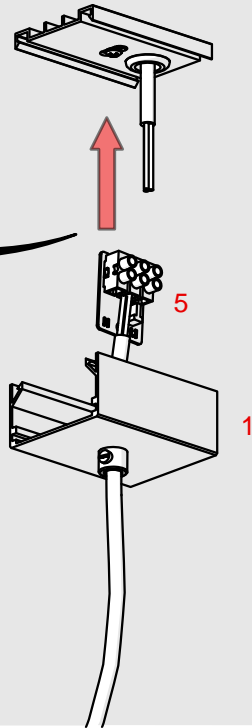
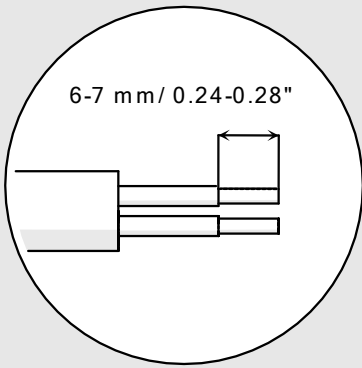
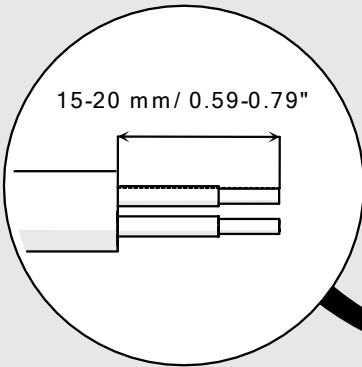


**IVa**

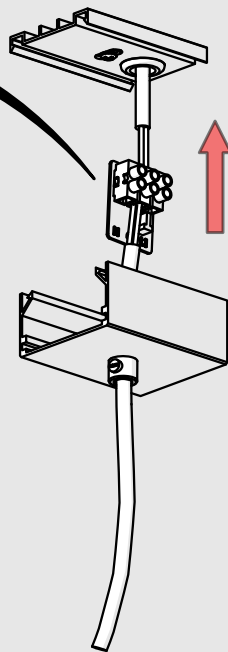
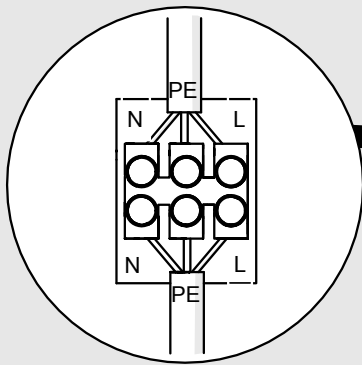
max. 6 mm / 0.24"



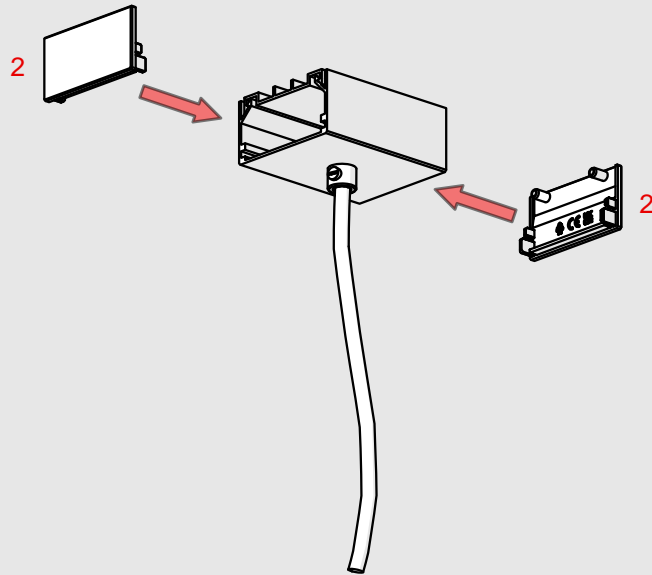
**Va**



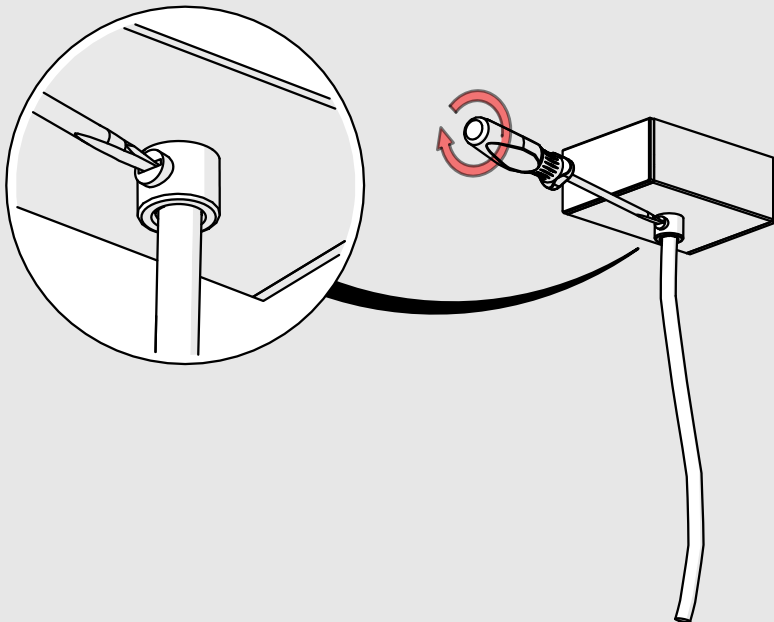
**Vla**



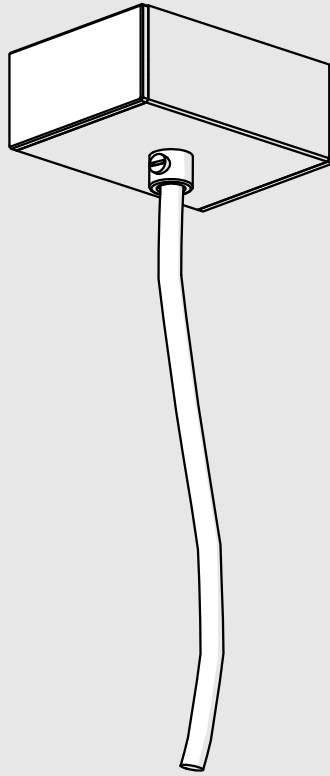
**VIIa**



**VIIIa**

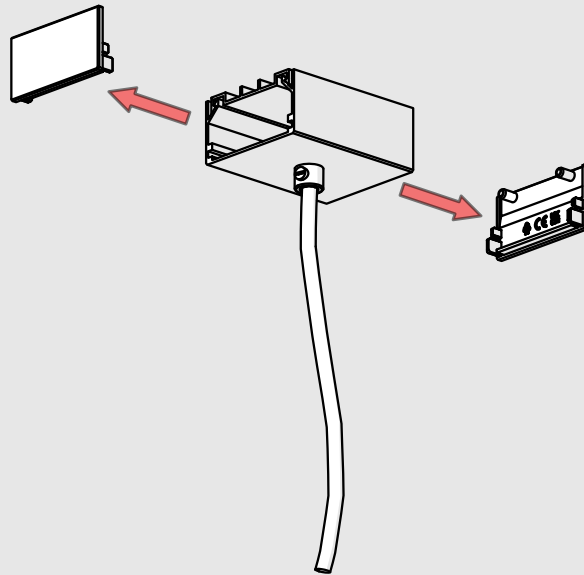


**IXa**

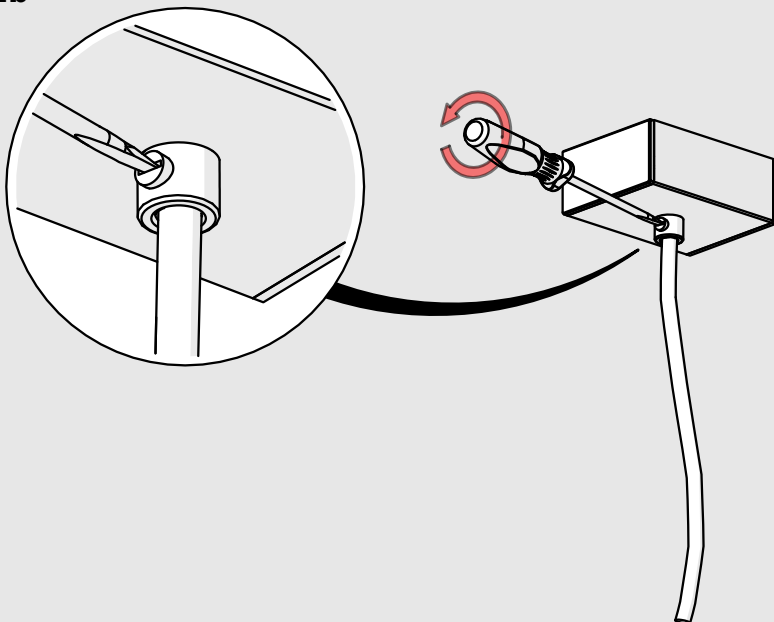




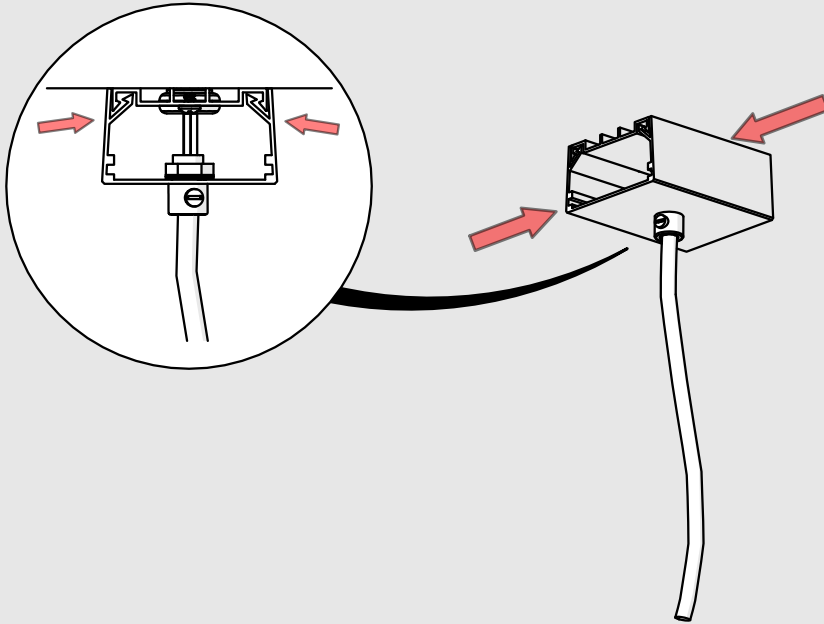
**Ib**



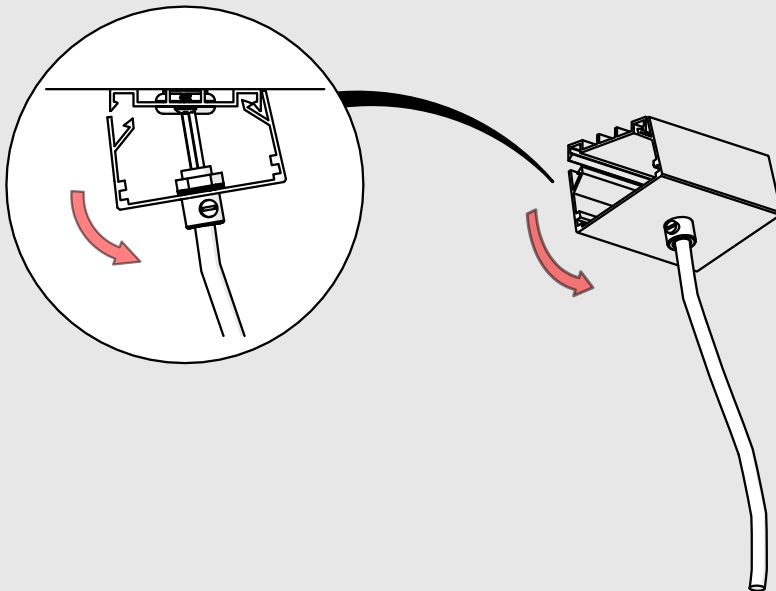
**IIb**



**IIIb**



**IVb**



**Vb**

